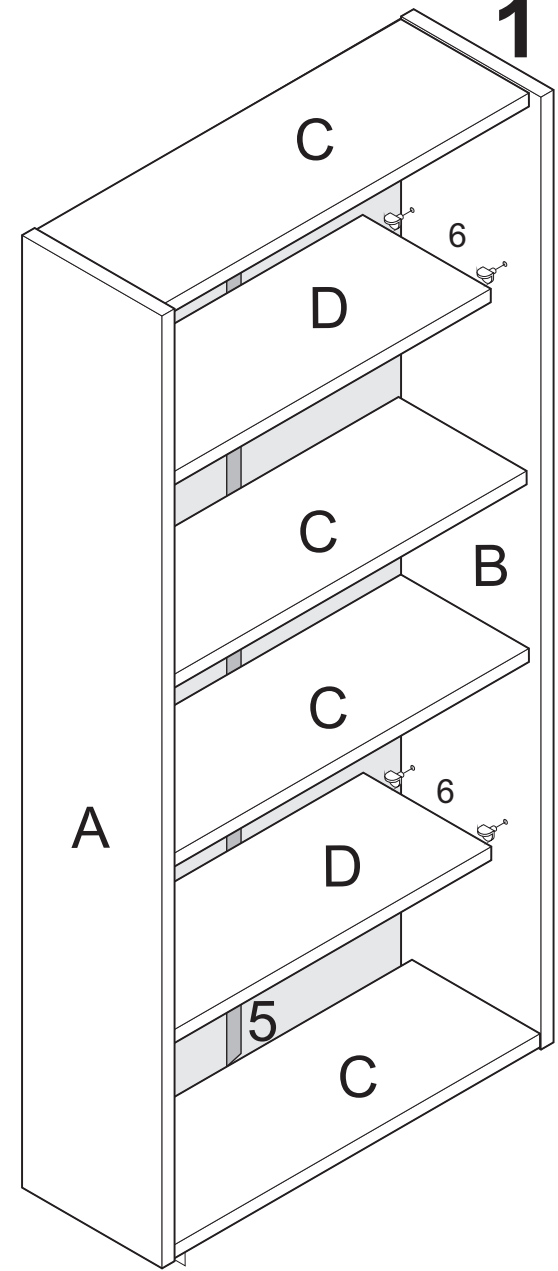
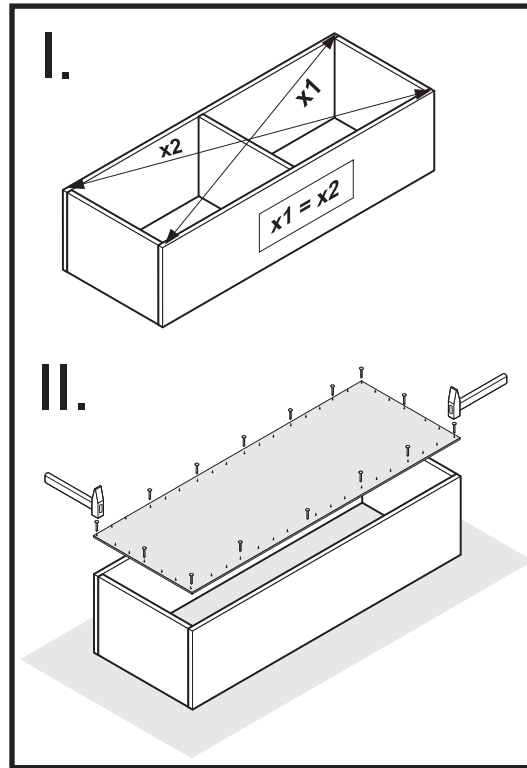
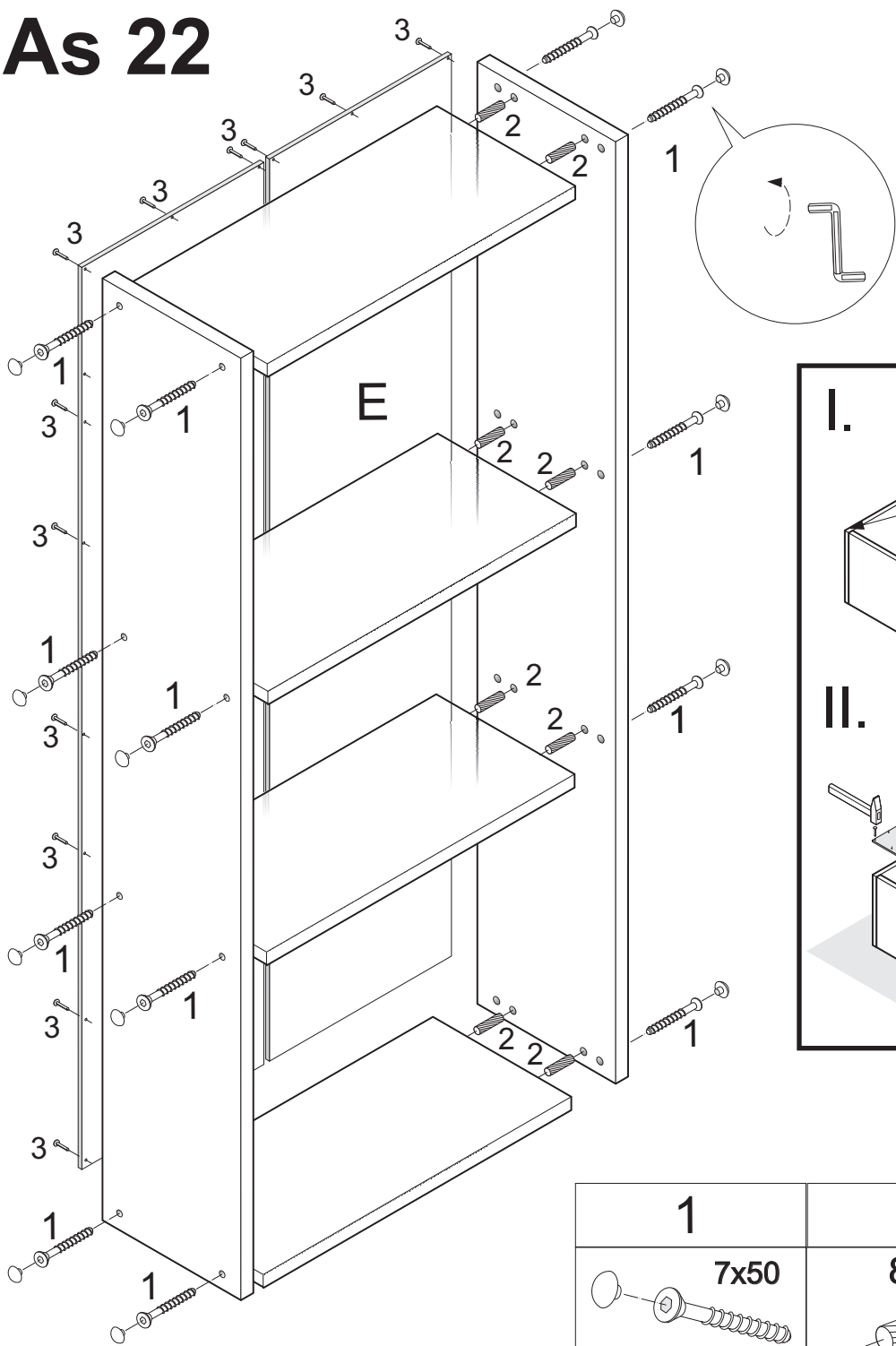
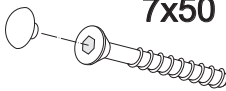



As 22

1 / 2



1	2	3	4	5	6
 7x50	 8x35	